



PANACEA® Advanced

Replacement ¹BiTAC® ²Family Electrolyzer Header Gaskets

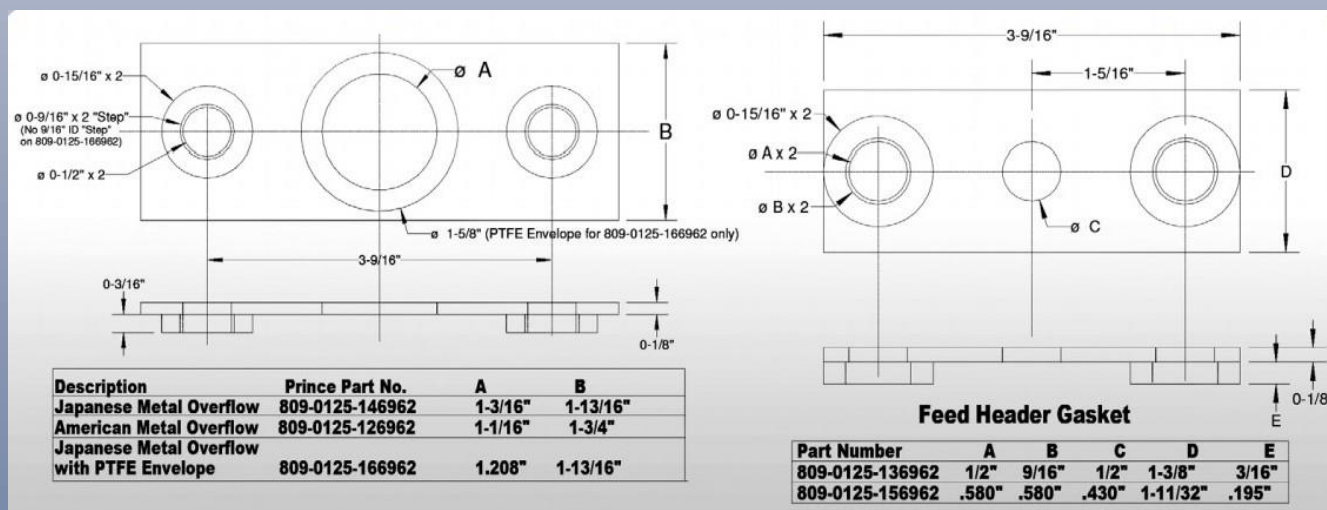
Prince's Hose gaskets are made with Prince's unique 6962 Special EPDM, which offers excellent sealing ability and corrosion-resistance. Some customers desire fluoropolymer armor for Anolyte Discharge services; though not essential, the armor grants even longer service life. Header gasket life regularly achieves the life of the electrolyzer membrane, even without the armor, for users globally.



Optional PTFE Envelopes
for ID Available

Outlet

Inlet



Blind Gaskets are available for those header nozzles *not connected to the electrolyzer*, while in service, made from 1/4"-thick (6.35 mm) Prince 6962 Special EPDM, with bolt holes.

Serving the Chemical Industry Worldwide | www.princecorp.com

Northern Headquarters: 45 Hazelwood Drive · Buffalo, NY 14228USA · +1 (716) 877-7400 · Fax +1 (716) 877-0743 · contact@princecorp.com
Southern Division: 11400 Richcroft Avenue · Baton Rouge, LA 70814USA · +1 (225) 272-1653 · Fax +1 (225) 272-1938

¹ Trademark: tKUCE GmbH

² Prince's Fluoropolymer Replacement Tubes are Compatible with BiTAC®, N-BiTAC®, and Nx-BiTAC® Technologies