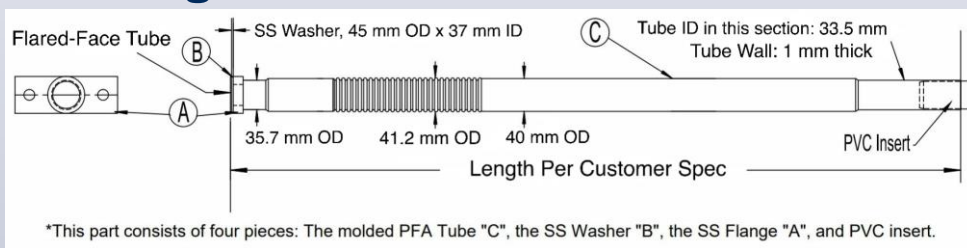
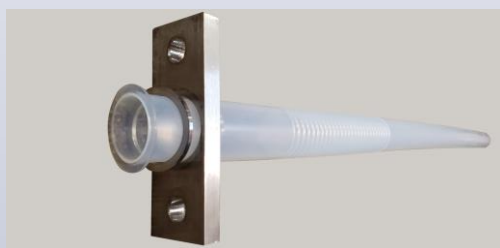




# PANACEA® Advanced

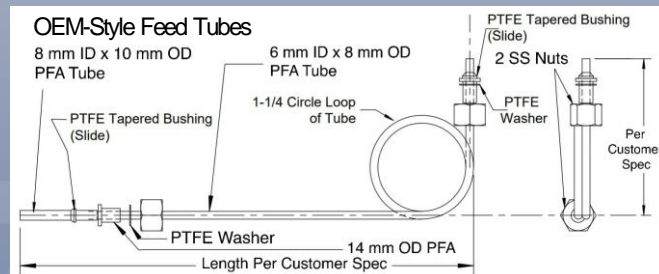
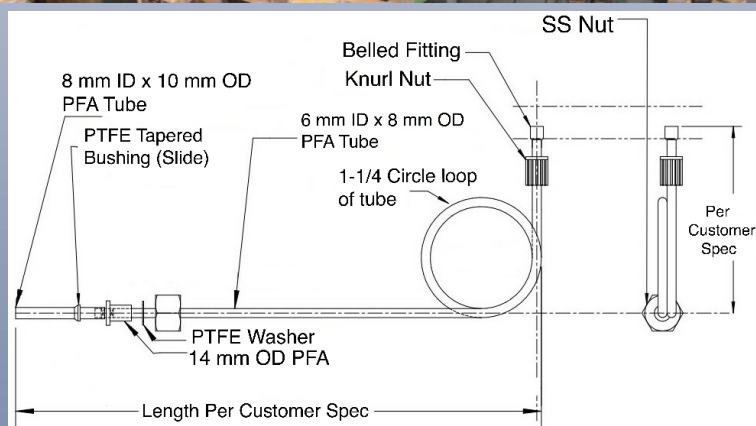
## Replacement <sup>1</sup>BiTAC® <sup>2</sup>Family Electrolyzer Fluoropolymer Connector Tubes

### Discharge Tubes



### Inlet Tubes: Pigtail-Style

In-Service Photos of Prince-Style Tubes with Compression Fittings along with Prince P-72 Thermoplastic Feed Manifold Headers.



- Prince's proven gasketless compression-seal design for inlet headers has sealed superiorly to the OEM fitting design (with gasket), in some applications; Prince's unique technology comes complete with Prince P-72 Thermoplastic Piping, which excels in all chlor-alkali services.
- Prince *custom* fabricates these tubes to a wide variety of dimensions, fluoropolymer materials, and fitting types, to the desires of each customer.
- Metallic hardware of hoses is available in Ti II, Nickel, and SS304.

Serving the Chemical Industry Worldwide | [www.princep.com](http://www.princep.com)

Northern Headquarters: 45 Hazelwood Drive · Buffalo, NY 14228USA · +1 (716) 877-7400 · Fax +1 (716) 877-0743 · [contact@princep.com](mailto:contact@princep.com)  
Southern Division: 11400 Richcroft Avenue · Baton Rouge, LA 70814USA · +1 (225) 272-1653 · Fax +1 (225) 272-1938

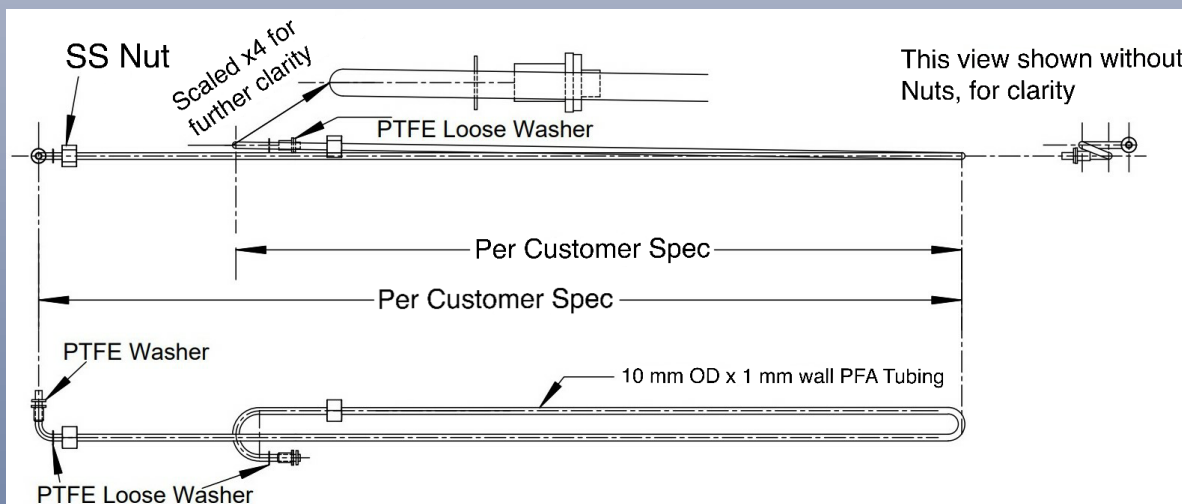
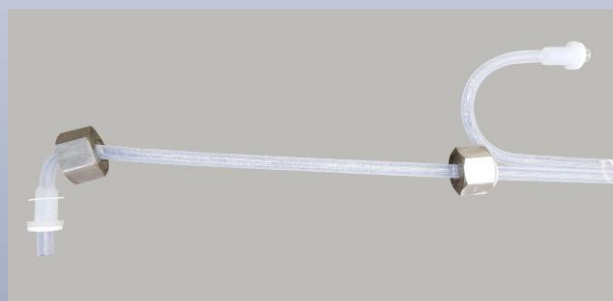
<sup>1</sup> Trademark: tKUCE GmbH

<sup>2</sup> Prince's Fluoropolymer Replacement Tubes are Compatible with BiTAC®, N-BiTAC®, and Nx-BiTAC® Technologies



**PANACEA® Advanced**  
**Replacement <sup>1</sup>BiTAC®**  
**<sup>2</sup>Family Electrolyzer**  
**Fluoropolymer Connector**  
**Tubes**

**Inlet Tubes: Trombone-Style**



The photos above depict the OEM-style fitting on either end of the tube.

**Serving the Chemical Industry Worldwide | [www.princep.com](http://www.princep.com)**

Northern Headquarters: 45 Hazelwood Drive · Buffalo, NY 14228USA · +1 (716) 877-7400 · Fax +1 (716) 877-0743 · [contact@princep.com](mailto:contact@princep.com)  
Southern Division: 11400 Richcroft Avenue · Baton Rouge, LA 70814USA · +1 (225) 272-1653 · Fax +1 (225) 272-1938

<sup>1</sup> Trademark: tKUCE GmbH

<sup>2</sup> Prince's Fluoropolymer Replacement Tubes are Compatible with BiTAC®, N-BiTAC®, and Nx-BiTAC® Technologies