

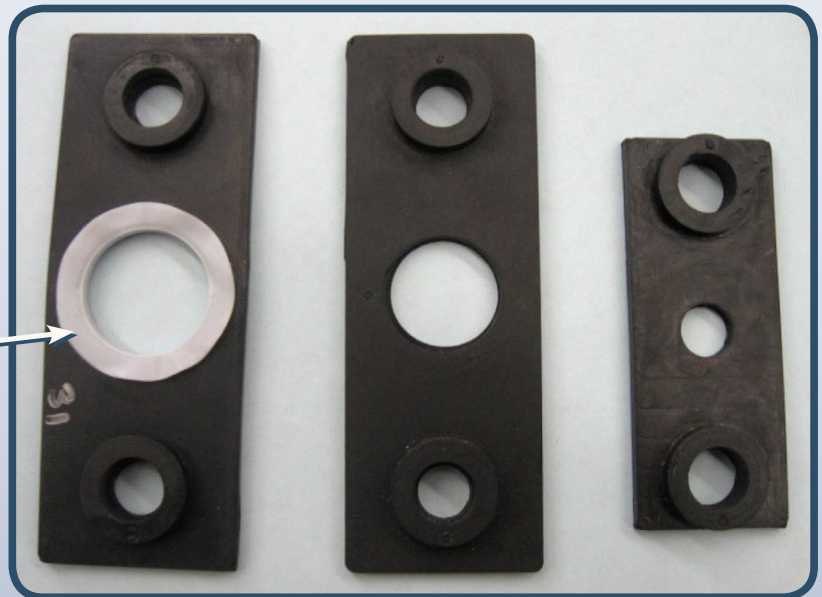


Prince Replacement Inlet & Outlet Header Gaskets for Bitac & N-Bitac Cells

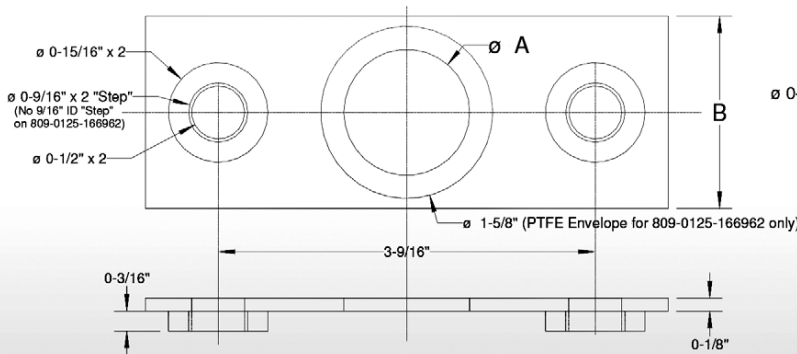
Custom Manufacturer & Fabricator of Rubber & Plastic Products

Molded with Prince 6962 Special EPDM

Optional PTFE Envelopes for ID available

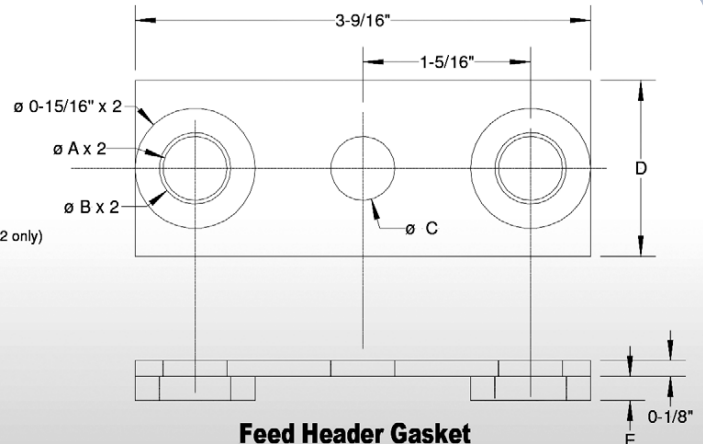


OUTLET



Description	Prince Part No.	A	B
Japanese Metal Overflow	809-0125-146962	1-3/16"	1-13/16"
American Metal Overflow	809-0125-126962	1-1/16"	1-3/4"
Japanese Metal Overflow with PTFE Envelope	809-0125-166962	1.208"	1-13/16"

INLET



Feed Header Gasket

Part Number	A	B	C	D	E
809-0125-136962	1/2"	9/16"	1/2"	1-3/8"	3/16"
809-0125-156962	.580"	.580"	.430"	1-11/32"	.195"

www.PrinceRP.com

Northern Headquarters
 137 Arthur Street
 Buffalo, NY 14207 USA
 T (716) 877-7400
 F (716) 877-0743
 contact@princerp.com

Southern Division
 11400 Richcroft Drive
 Baton Rouge, LA 70814 USA
 T (225) 272-1653
 F (225) 272-1938
 batonr@princerp.com

Industrial Plastics Canada Limited
 625 Industrial Drive • PO Box 93
 Fort Erie, Ontario L2A 5M6 Canada
 T (905) 871-0412
 F (905) 871-6494
 ipcl@princerp.com